



art metal

06 ANDROMEDA LED

F.P.H. Art Metal Sp.j.

Ul. Jabłoniowa 124, 83-331 Łapino Kartuskie, Poland
Tel. 0048 58 681 80 78, Fax: 0048 58 681 80 64
www.art-metal.pl e-mail: biuro@art-metal.pl

Construction:

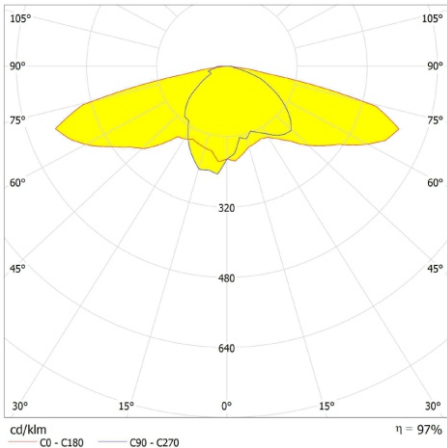
The unit consist of a body (1). A shade (3) is mounted to the luminary body with a ring (3). A disk (4) separating electrical compartment from lighting compartment is attached to a luminary body. A LED light source radiator is settled to the disk (4). LED module is mounted to the radiator (6) and tightly closed with a lens The module is powered with a voltage power supply (7). The luminary is sealed with a gasket (8).

Mounting instructions:

- *)- Screw the radiator (6) to mount an LED light source to the disk (4).
- Connect the electrical cables according to the scheme.
- Tighten bolts to mount a disk (4) to the luminary body (1).
- Mount the shade (2) to the body (1) with a ring (3). Tighten mounting bolts (9).
- The luminary is mounted to the lantern with a M20 thread (10) (hanged luminary).

If any lantern elements are supplied factory-mounted, the mounting stages marked with *) should be omitted (as this has already been done by the manufacturer).

TECHNICAL DATA:



Photometry (polar plot)

Power: ~230/50Hz

Protective class: I

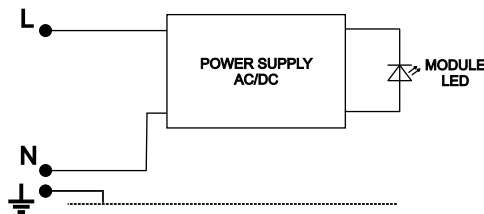
IP44 -electrical part

IP66 -optical part

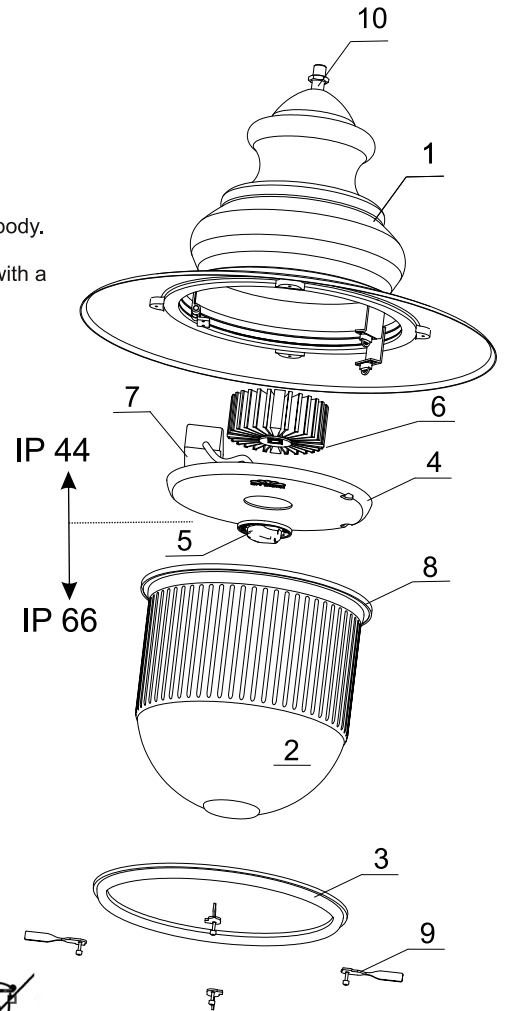


OTHERS

ELECTRICAL DIAGRAM:



1. Module LED



Type	Light-prod. element	Luminous flux[lm]		Weight [kg]	Pn [W]	Luminary dimensions
		3000K	4000K			
06L-33W	NZL33(Cree)	3777	4062	16,5	33	
06L-38W	NZL38(Cree)	4227	4546	16,5	38	
06L-50W	NZL50(Cree)	5228	5622	16,5	50	
06L-58W	NZL58(Cree)	5784	6220	16,5	58	
06L-78W	NZL78(Cree)	6948	7471	16,5	78	

WARNING !! The weight of the unit may slightly differ for individual production batches.

Sign: L-0006-01-03



Last revision: 2017.04.03