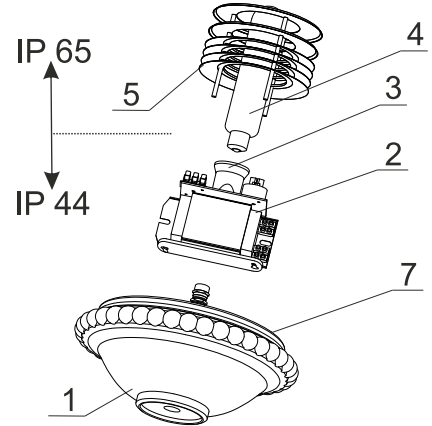
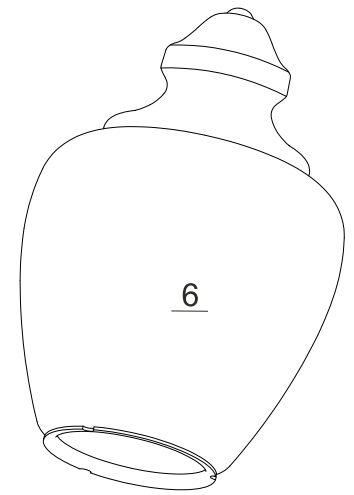


Construction:

The fixture includes a threaded base (1) to which a tray (9) with an igniter module (2) and a lampholder (3) is attached. A bulb (4) is fitted into the lampholder. A RASTER (ODB-3) reflector (5) can be used optionally. A threaded shade (6) is slid over the fixture and screwed into the female threaded base. The connection is made tight by using a gasket (7).

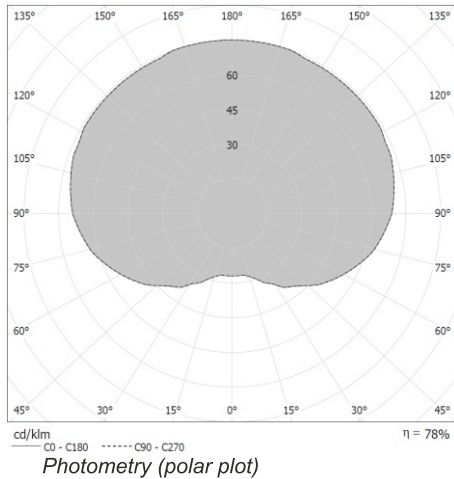
Mounting instructions:

- *) -Attach the igniter module (2) and the lampholder (3) to the base.
- Lead the electrical cables out of the arm and place them neatly inside the fixture,
- Connect them to the igniter (2)..
- Attach the arm to the base (1).
- Put the bulb (5) in position.
- Attach a RASTER (ODB-3) reflector(5)
- Position the gasket (7) in place and screw the shade (6) all the way in.



If any lantern elements are supplied factory-mounted, the mounting stages marked with *) should be omitted (as this has already been done by the manufacturer)

TECHNICAL DATA:

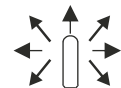
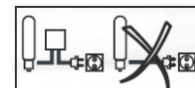


Power: ~230/50Hz

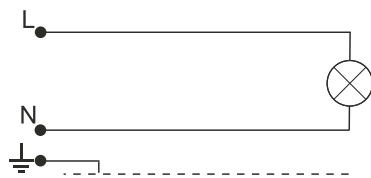
Protective class: I 

IP44 -electrical part

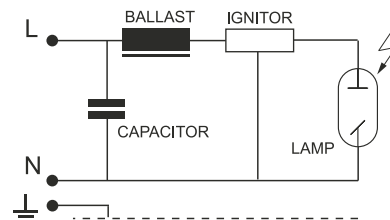
IP65 -optical part



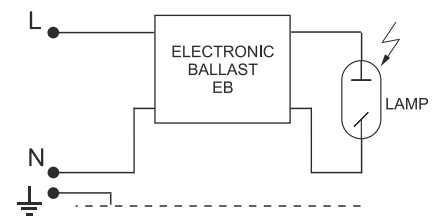
ELECTRICAL DIAGRAM:



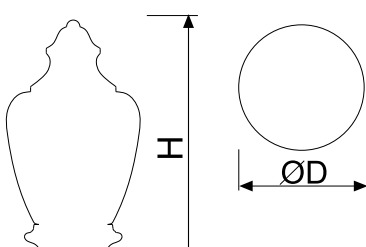
1. Incandescent bulb



2. Sodium / metal halide lamps



3. Sodium / metal halide lamps

Type	Light-producing element	Lamp holder	Weight [kg]	Pn [W]		Luminary dimensions
				IC	EB	
A2MH-70W	MH/HSI/HPI	E27	7,8	81	75	 Wind area A = 0,19m ² H/D 710/390
A2MH-100W	MH/HSI/HPI	E27	8,3	114	105	
A2MH-150W	MH/HSI/HPI	E27	9,0	169	155	
A2S-70W	WLS/SHP/SON	E27	7,8	81	75	
A2S-100W	WLS/SHP/SON	E40	8,4	114	105	
A2S-150W	WLS/SHP/SON	E40	9,1	169	155	
A2Z-E/Z	Bulb / MINI - LINX	E27	6,3	Maks. 60		

WARNING !! The weight of the unit may slightly differ for individual production batches.