



art metal

15 NEPTUN LED

F.P.H. Art Metal Sp.j.

Ul. Jabłoniowa 124, 83-331 Łapino Kartuskie, Poland
Tel. 0048 58 681 80 78, Fax: 0048 58 681 80 64
www.art-metal.pl e-mail: biuro@art-metal.pl

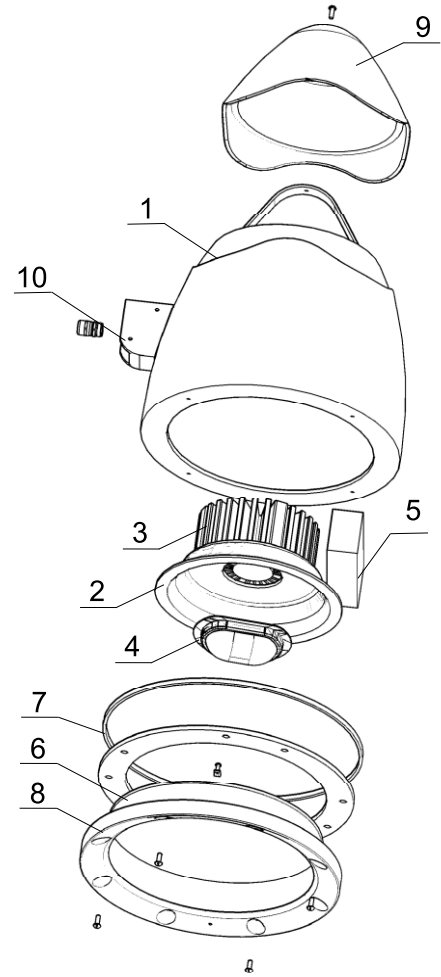
Construction:

Luminary consists of aluminum body (1) with LED light source inside, mounted with fastening disc (2). Radiator (3) is fixed to the disc (2). LED module is fixed to the radiator (3) and closed with a lens (4). Voltage power supply (5) empowers the module. Luminary is tightly closed using glass shade (6), seal (7) and throughout aluminum frame (8) with bolts. Taking off top cover (9), allows access to luminary inside, from above. Handle (10) allows fixing luminary to the arm, helping adjusting luminary angle downgrade.

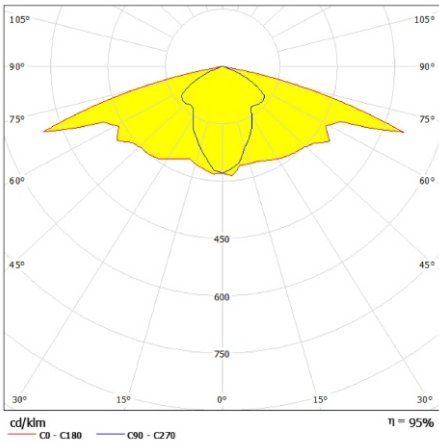
Mounting instruction:

- *)- by tightening the radiator (3), fasten LED light source to the disc (2)
- connect electricity, fasten disc (2) to the body (1), if necessary take off top cover (9) to allow access.
- fasten rings, glass and seals – tighten with bolts.

If any lantern elements are supplied factory-mounted, the mounting stages marked with *) should be omitted (as this has already been done by the manufacturer).



TECHNICAL DATA:



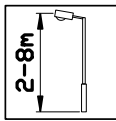
Photometry (polar plot)

Power: ~230/50Hz

Protective class: I

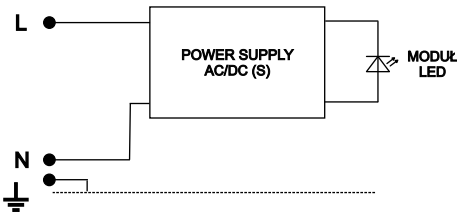
IP66 -electrical part

IP66 -optical part

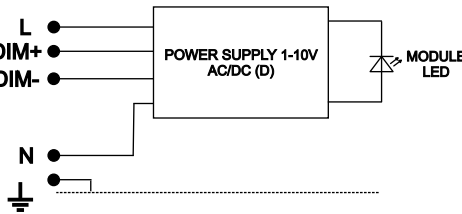


OTHERS

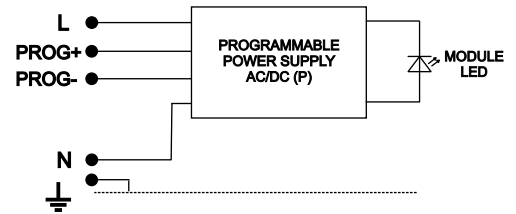
ELECTRICAL DIAGRAMS:



1. Module LED -basic power supply (S)



2. Module LED -dimnable power supply (D)



3. Module LED -programmable power supply (P)

Type	Light-prod. element	Luminous flux[lm]		Weight [kg]	Pn [W]	Luminary dimensions	
		3000K (830)	4000K (840)				
15L-22W	CXB2540	2990	3170	9,7	22		L/D/H 430/345/415
15L-33W	CMA2550	4286	4609	9,7	33		
15L-38W	CMA2550	4842	5207	9,7	38		
15L-50W	CMA2550	6131	6593	9,7	50		
15L-58W	CMA2550	6896	7415	9,7	58		

WARNING !! The weight of the unit may slightly differ for individual production batches.

