



art metal

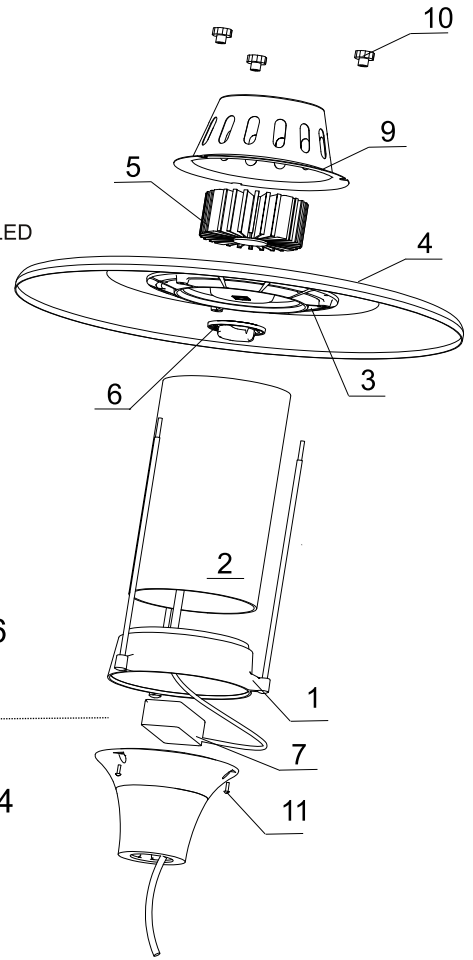
26 AURELIA LED

F.P.H. Art Metal Sp.j.

Ul. Jabłoniowa 124, 83-331 Łapino Kartuskie, Poland
Tel. 0048 58 681 80 78, Fax: 0048 58 681 80 64
www.art-metal.pl e-mail: biuro@art-metal.pl

Construction:

The unit consists of the two-piece body (1) and the shade (2) mounted to the ring (3). Radiator (5) with LED module is fixed to the roof (4) mounted on the ring. Lens (6) tightly closes LED module from the bottom. The radiator is protected by a ventilated cover (9). The module is powered from the power supply voltage (7) placed inside the body (1). The tightness of the luminary ensure the seals (8).

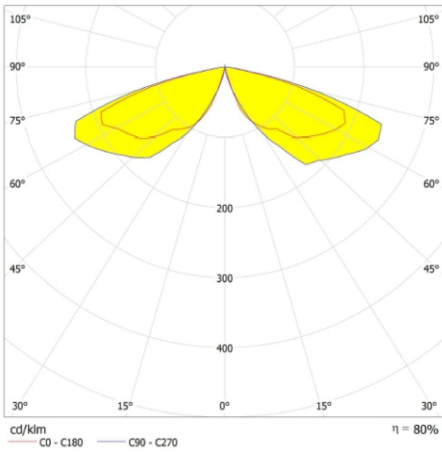


Mounting instructions:

- *) -LED light source assemble to the roof (4) by screwing the radiator (6).
- *) -Assemble the shade (4) and the roof by tightening the mounting screws (10) to the body (1).
- Make electrical connections in accordance with the markings. Tighten the cable glands.
- Screw the two parts of the body(1), using screws (11)
- The luminary is designed to be mounted on a pole (diameter $\varnothing 60\text{-}\varnothing 90$ mm).

If any lantern elements are supplied factory-mounted, the mounting stages marked with *) should be omitted (as this has already been done by the manufacturer).

TECHNICAL DATA:



Photometry (polar plot)

Power: ~230/50Hz

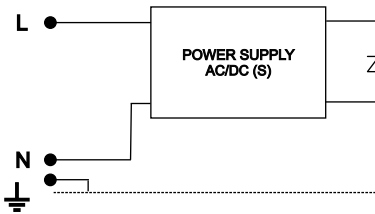
Protective class: I

IP44 -electrical part

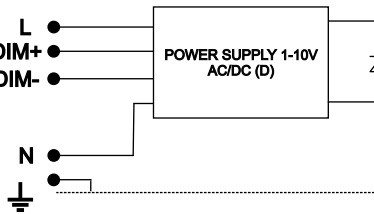
IP66 -optical part



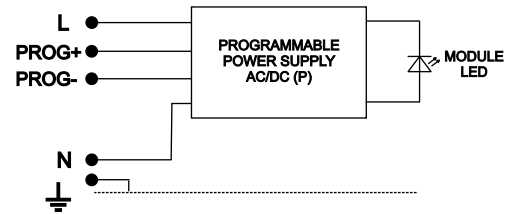
ELECTRICAL DIAGRAMS:



1. Module LED -basic power supply (S)



2. Module LED -dimnable power supply (D)



3. Module LED -programmable power supply (P)

Type	Light-prod. element	Luminous flux[lm]		Weight [kg]	Pn [W]	Luminary dimensions	
		3000K (830)	4000K (840)				
26L-22W	CXB2540	2450	2725	7,9	22		
26L-33W	CXB2540	3777	4062	7,9	33		
26L-38W	CXB2540	4227	4546	7,9	38		
26L-50W	CXB2540	5228	5622	7,9	50		
26L-58W	CXB2540	5784	6220	7,9	58		

Wind area
A = 0,24m²

L/D
675/700

WARNING !! The weight of the unit may slightly differ for individual production batches.

