



art metal

# 29 TECHNO LED

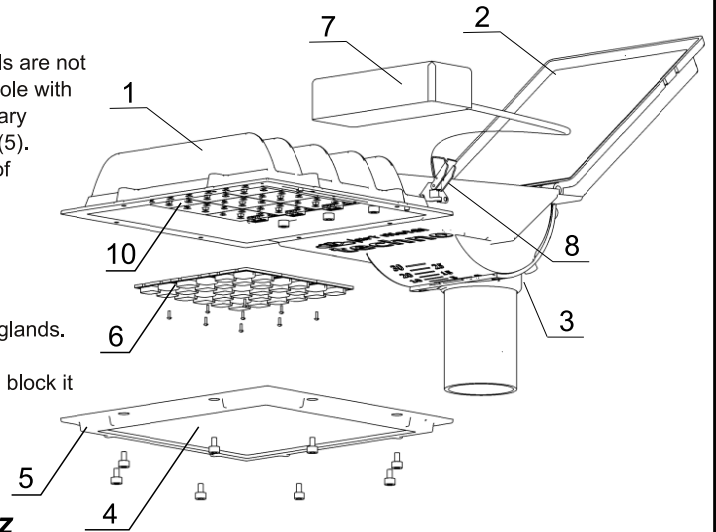
Ul. Jabłoniowa 124, 83-331 Łapino Kartuskie, Poland  
Tel. 0048 58 681 80 78, Fax: 0048 58 681 80 64  
www.art-metal.pl e-mail: biuro@art-metal.pl

### Construction:

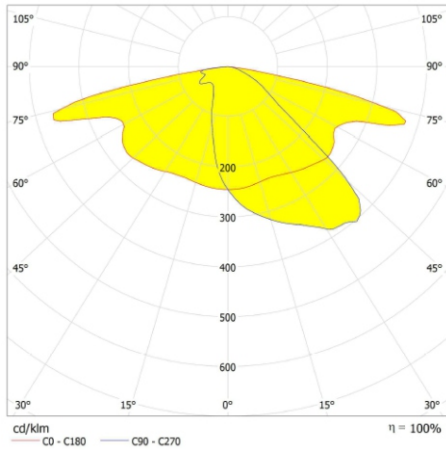
The unit consists of a body (1) closed on the top with a bonnet (2) with hinge. Tools are not necessary, to open a luminary unfasten buckles (8). The body is mounted to the pole with adjustable joint (3) which enables to regulate its position. Optical part of the luminary with LED modules(10) and lenses (6) is tightly closed by shade (4) with a frame (5). Power supply (8) is placed in a separate, hermetic compartment. The tightness of the luminary ensure theseals (9).

### Mounting instructions:

- Lead the cable through the joint and place a luminary on the pole or arm (diameter  $\varnothing 60\text{-}\varnothing 76\text{ mm}$ )
- Tighten the screws and stabilize luminary in a proper position
- Make electrical connections in accordance with the markings. Tighten the cable glands.
- Close the bonnet (2), fasten to the body (1) with buckles (8).
- Angle of the luminary is regulated with a scale on the joint. Tighten the screws to block it on the correct position.



### TECHNICAL DATA:



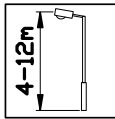
Power: ~230/50Hz

Protective class: I

IP66 -electrical part

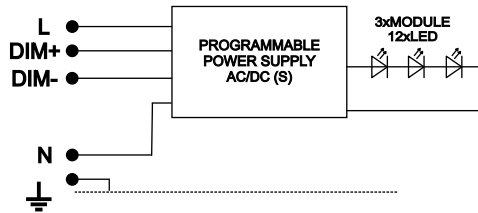
IP66 -optical part

IK09

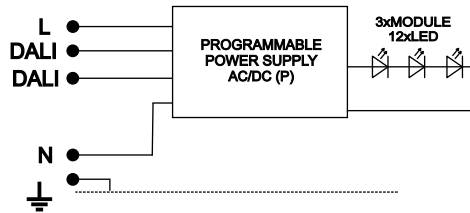


Photometry (polar plot)

### ELECTRICAL DIAGRAMS:



1. Module LED - power supply Lite Prog (S)



2. Module LED - power supply Full Prog (P)

Type	Light-prod. element	Luminous flux[lm]		Weight [kg]	Pn [W]	Luminary dimensions
		3000K (830)	4000K (840)			
29 L-36W	24-LED-G5	4635	4901	5,5	36	<p>Wind area <math>A = 0,14\text{m}^2</math>      L/W/H 495/275/210</p>
29 L-47W	24-LED-G5	6026	6371	5,5	47	
29 L-58W	24-LED-G5	7362	7784	5,5	58	
29 L-69W	24-LED-G5	8652	9147	5,5	69	
29 L-80W	24-LED-G5	9900	10469	5,6	80	
29 L-92W	24-LED-G5	11114	11751	5,6	92	
29 L-97W	24-LED-G5	11833	12512	5,6	97	

**WARNING !!** The weight of the unit may slightly differ for individual production batches.

