



art metal

A2C JULIA LED

F.P.H. Art Metal Sp.j.

Ul. Jabłoniowa 124, 83-331 Łapino Kartuskie, Poland
Tel. 0048 58 681 80 78, Fax: 0048 58 681 80 64
www.art-metal.pl e-mail: biuro@art-metal.pl

Construcion:

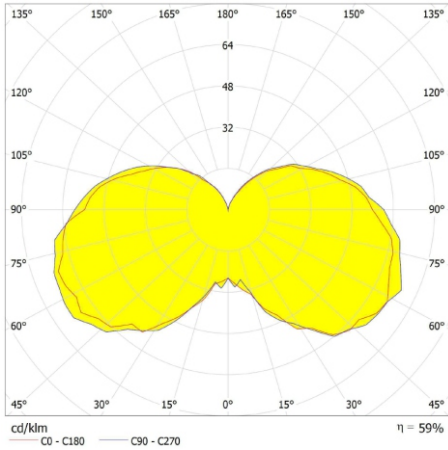
The unit consists of a aluminum body (1) holding a shade (2) with aluminum cover (3). A radiator (4) with LED module (5) and a lens (6) is screwed to the top of the luminary (3). Module is powered with a voltage power supply (7) which is mounted to the luminary body (1). The luminary is sealed with a gasket (8). The luminary is designed to be attached to arm or mounted directly on the top of pole.

Mounting instruction:

- *) - Mount the power supply (7) to the luminary body (1)
- *) - Screw the radiator (4) to mount an LED light source to the luminary cover (3)
- *) - Connect the electrical cables according to the marks
- Put the shade (2) and close the luminary, place the excess cable inside the luminary body (1)
- Tighten the screw and lock the shade collar
- Luminary is mounted to the lantern depending on the pole construction - either hanging on M20 thread or mounted on the top of the pole on $\varnothing 45 - \varnothing 90$ diameter.

If any lantern elements are supplied factory-mounted, the mounting stages marked with *) should be omitted (as this has already been done by the manufacturer).

TECHNICAL DATA:



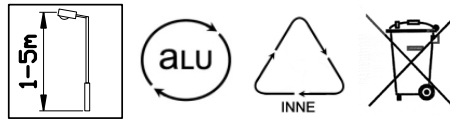
Photometry (polar plot)

Power: ~230/50Hz

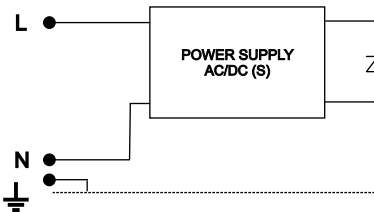
Protective class: I

IP65 -electrical part

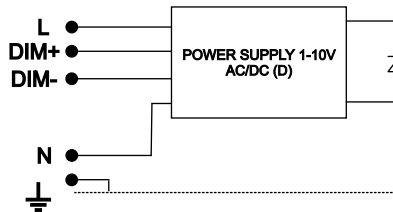
IP65 -optical part



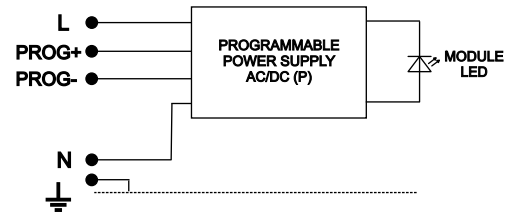
ELECTRICAL DIAGRAMS:



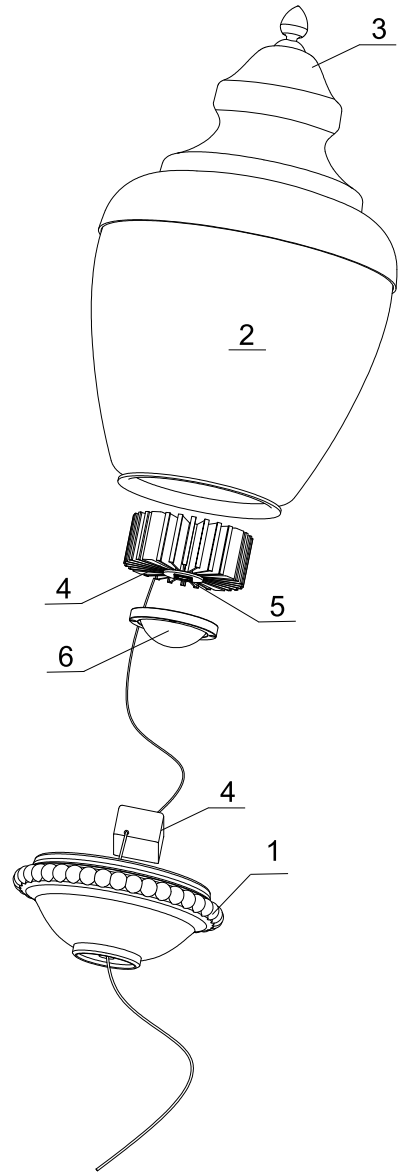
1. Module LED -basic power supply (S)



2. Module LED -dimnable power supply (D)



3. Module LED -programmable power supply (P)



Type	Light-prod. element	Luminous flux[lm]		Weight [kg]	Pn [W]	Luminary dimensions
		3000K (830)	4000K (840)			
A2C L-22W	CXB2540	2990	3170	13,5	22	
A2C L-33W	CMA2550	4286	4609	13,5	33	
A2C L-38W	CMA2550	4842	5207	13,5	38	
A2C L-50W	CMA2550	6131	6593	13,5	50	

WARNING !! The weight of the unit may slightly differ for individual production batches.

