



art metal

10 OPAL LED

F.P.H. Art Metal Sp.j.

Ul. Jabłoniowa 124, 83-331 Łapino Kartuskie, Poland
Tel. 0048 58 681 80 78, Fax: 0048 58 681 80 64
www.art-metal.pl e-mail: biuro@art.-metal.pl

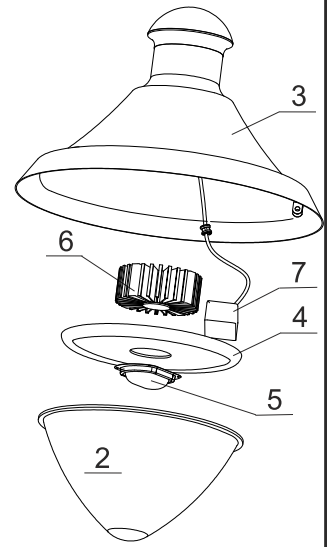
Construcion:

The unit consists of a metal basket (1) holding a shade (2). A disk (4) separating electrical compartment from lighting compartment is attached to a luminary basket (1) on the top. A LED light source radiator (6) is mounted to the disk (4). LED module is mounted to the radiator (6) a tightly closed with a lens (5). Module is powered with a voltage power supply (7). The luminary cover (4) is mounted to the luminary body (1) with a hinge and closed with a screw so no additional tools are necessary. The luminary is sealed with a gasket (8).

Mounting instruction:

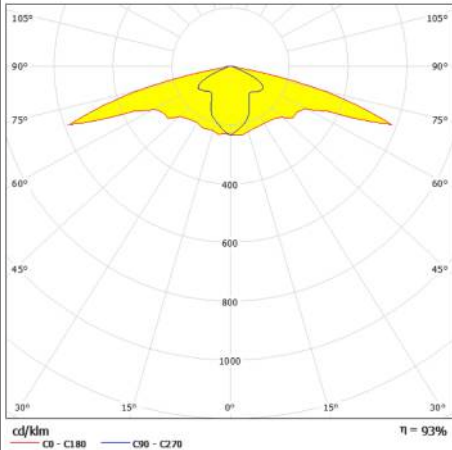
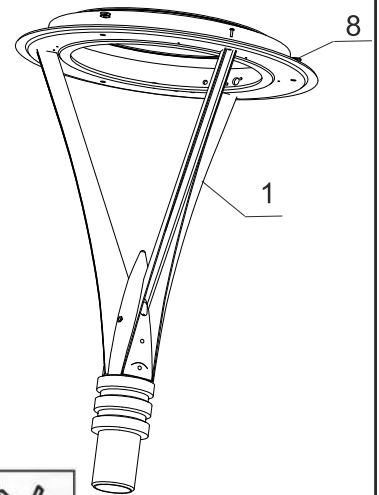
- *)- Put the shade (2) into the basket (1)
- *)- Screw the radiator (6) to mount an LED light source to the disk (4)
- Connect the electrical cables to the terminals of power supply (7)
- *)- Screw tightly disk (4) to the luminary basket (1)
- Close the cover using hand.
- Luminary is mounted on the top of the pole on $\varnothing 45 - \varnothing 90$ diameter.

If any lantern elements are supplied factory-mounted, the mounting stages marked with *) should be omitted (as this has already been done by the manufacturer).



IP 44

IP 65



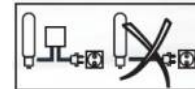
Photometry (polar plot)

Power: ~230/50Hz

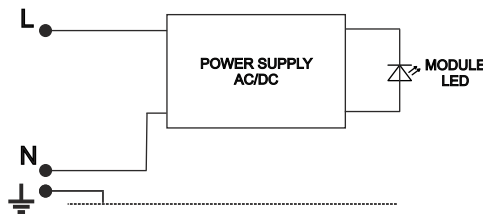
Protective class: I

IP44 -electrical part

IP65 -optical part



ELECTRICAL DIAGRAM:



1.Module LED

Type	Light-prod. element	Luminous flux[lm]		Weight [kg]	Pn [W]	Luminary dimensions
		3000K	4000K			
10L-33W	NZL33(Cree)	3777	4062	14,4	33	<p>Wind area $A = 0,28m^2$</p> <p>L/D 1270/600</p>
10L-38W	NZL38(Cree)	4227	4546	14,4	38	
10L-50W	NZL50(Cree)	5228	5622	14,4	50	
10L-58W	NZL58(Cree)	5784	6220	14,4	58	

WARNING !! The weight of the unit may slightly differ for individual production batches.

