



art metal

# 10B OPAL LED

F.P.H. Art Metal Sp.j.

Ul. Jabłoniowa 124, 83-331 Łapino Kartuskie, Poland  
Tel. 0048 58 681 80 78, Fax: 0048 58 681 80 64  
www.art-metal.pl e-mail: biuro@art.-metal.pl

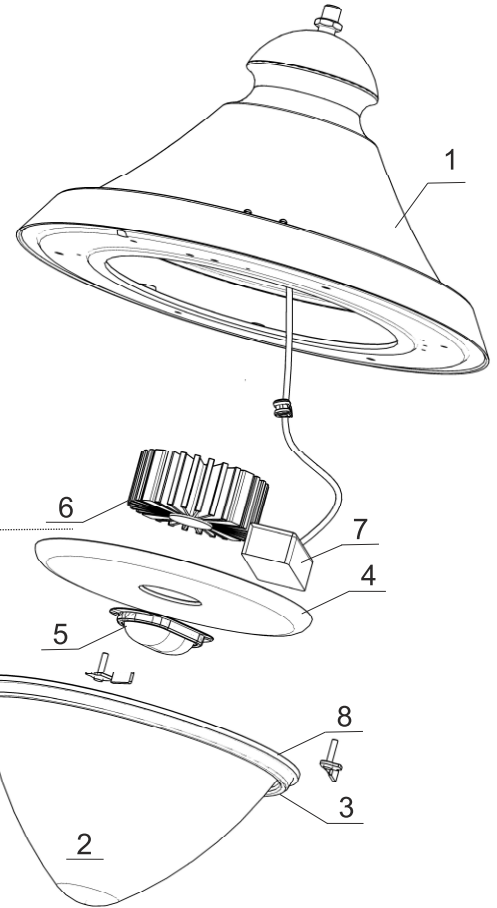
### Construction:

The unit consist of a body (1). A shade (3) is mounted to the luminary body with a ring (3). A disk (4) separating electrical compartment from lighting compartment is attached to a luminary body. A LED light source radiator is settled to the disk (4)  
LED module is mounted to the radiator (6) and tightly closed with a lens The module is powered with a voltage power supply (7). The luminary is sealed with a gasket (8).

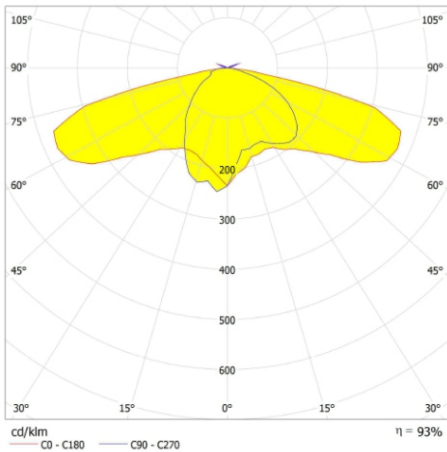
### Mounting instructions:

- Screw the radiator (6) to mount an LED light source to the disk (4).
- Connect the electrical cables according to the scheme.
- Tighten bolts to mount a disk (4) to the luminary body (1).
- Mount the shade (2) to the body (1) with a ring (3). Tighten mounting bolts.
- The luminary is mounted to the lantern with a M20 thread (hanged luminary).

If any lantern elements are supplied factory-mounted, the mounting stages marked with \*) should be omitted (as this has already been done by the manufacturer).



### TECHNICAL DATA:



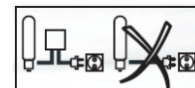
Photometry (polar plot)

Power: ~230/50Hz

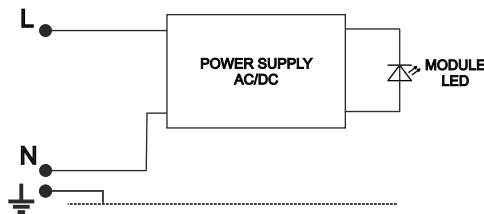
Protective class: I

IP44 -electrical part

Ip65 -optical part



### ELECTRICAL DIAGRAM:



1.Module LED

Type	Light-prod. element	Luminous flux[lm]		Weight [kg]	Pn [W]	Luminary dimensions	
		3000K	4000K				
10B L-33W	NZL33(Cree)	3777	4062	7,1	33		
10B L-38W	NZL38(Cree)	4227	4546	7,1	38		
10B L-50W	NZL50(Cree)	5228	5622	7,1	50		
10B L-58W	NZL58(Cree)	5784	6220	7,1	58		

Wind area  
A =0,21m<sup>2</sup>

L/D  
575/600



**WARNING !!** The weight of the unit may slightly differ for individual production batches.

