



art metal

# A2D JULIA LED

F.P.H. Art Metal Sp.j.

Ul. Jabłoniowa 124, 83-331 Łapino Kartuskie, Poland  
Tel. 0048 58 681 80 78, Fax: 0048 58 681 80 64  
www.art-metal.pl e-mail: biuro@art-metal.pl

### Construcion:

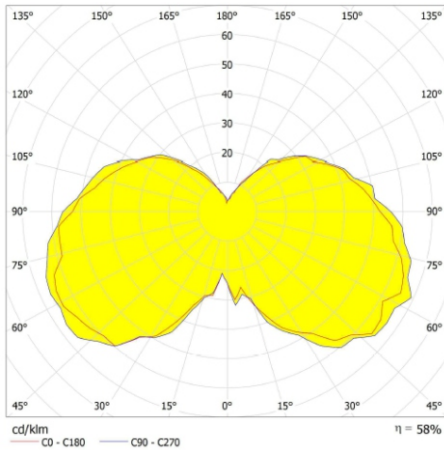
The unit consists of a aluminum body (1) holding a shade (2) with aluminum cover (3). A radiator (4) with LED module (5) and a lens (6) is screwed to the top of the luminary (3). Module is powered with a voltage power supply (7) which is mounted to the luminary body (1). The luminary is sealed with a gasket (8). The luminary is designed to be attached to arm or mounted directly on the top of pole.

### Mounting instruction:

- \*) - Mount the power supply (7) to the luminary body (1)
- \*) - Screw the radiator (4) to mount an LED light source to the luminary cover (3)
- \*) - Connect the electrical cables according to the marks
- Put the shade (2) and close the luminary, place the excess cable inside the luminary body (1)
- Tighten the screw and lock the shade collar
- Luminary is mounted to the lantern depending on the pole construction - either hanging on M20 thread or mounted on the top of the pole on  $\varnothing 45 - \varnothing 90$  diameter.

If any lantern elements are supplied factory-mounted, the mounting stages marked with \*) should be omitted (as this has already been done by the manufacturer).

### TECHNICAL DATA:



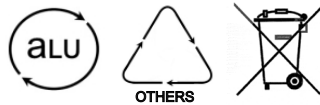
Photometry (polar plot)

**Power: ~230/50Hz**

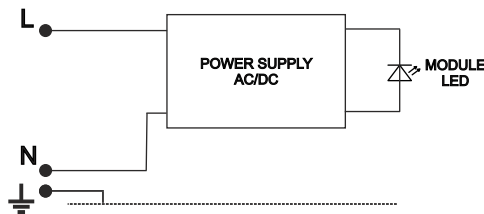
**Protective class: I**

**IP44 -electrical part**

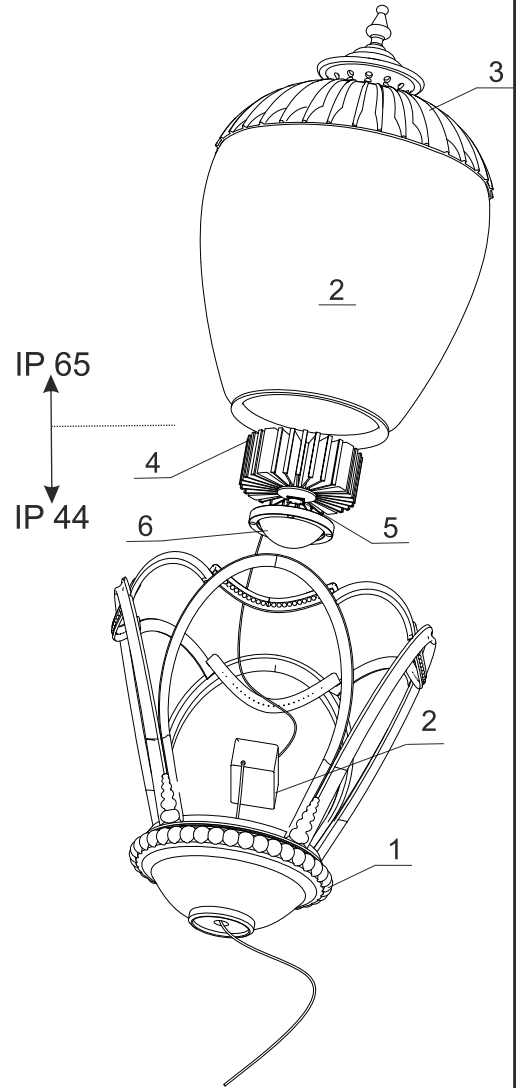
**IP65 -optical part**



### ELECTRICAL DIAGRAM:



1.Module LED



Type	Light-prod. element	Luminous flux[lm]		Weight [kg]	Pn [W]	Luminary dimensions
		3000K	4000K			
A2D L-33W	NZL33(Cree)	3777	4062	14,5	33	
A2D L-38W	NZL38(Cree)	4227	4546	14,5	38	
A2D L-50W	NZL50(Cree)	5228	5622	14,5	50	

**WARNING !!** The weight of the unit may slightly differ for individual production batches.

Sign: L-A2DL-01-00



Last revision: 2017.04.03