



art metal

34 ROZALIA

F.P.H. Art Metal Sp.j.

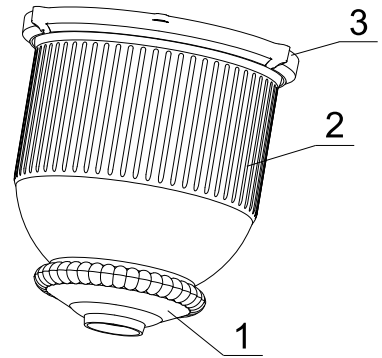
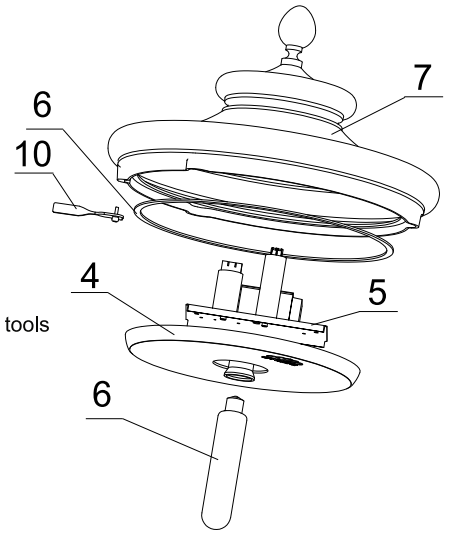
Ul. Jabłoniowa 124, 83-331 Łapino Kartuskie, Poland
Tel. 0048 58 681 80 78, Fax: 0048 58 681 80 64
www.art-metal.pl e-mail: biuro@art-metal.pl

Construcion:

The unit consists of a metal base(1) holding a shade (2). The upper reflector (4) is separating electrical compartment from lighting compartment, is attached to a luminary ring(3). A tray (5) with an igniter module and a lampholder are mounted on the upper reflector (4). A bulb (6) is fitted into the lampholder. A decorative top cover(7) to the luminary ring (3) with a hinge and closed with a screw(10) so no additional tools are necessary. The luminary is sealed with a gasket (9).

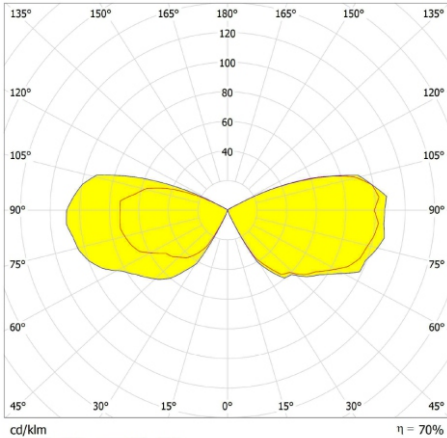
Mounting instruction:

- *) - Put the shade (2) to the base (1))
- Connect the electrical cables to the terminals of power supply (7)
- *) - Mounting, the upper reflector (4) to the luminary ring (3)
- Close the cover with a screw(10), using hand.
- Luminary is mounted to the lantern depending on the pole construction - either hanging on M20 thread or mounted on the top of the pole on $\varnothing 45 - \varnothing 90$ diameter.



If any lantern elements are supplied factory-mounted, the mounting stages marked with *) should be omitted (as this has already been done by the manufacturer)

TECHNICAL DATA:



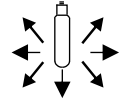
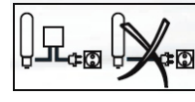
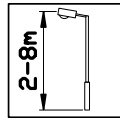
Photometry (polar plot)

Power: ~230/50Hz

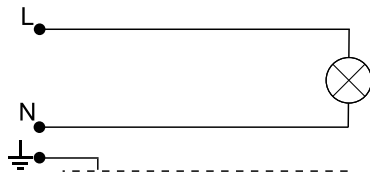
Protective class: I

IP65 -electrical part

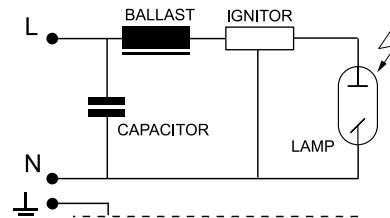
IP65 -optical part



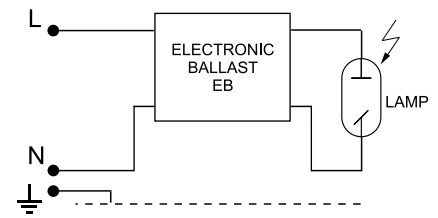
ELECTRICAL DIAGRAM:



1. Incandescent bulb



2. Sodium / metal halide lamps



3. Sodium / metal halide lamps

Type	Light-producing element	Lamp holder	Weight [kg]	Pn [W]		Luminary dimensions
				IC	EB	
34MH-70W	MH/HSI/HPI	E27	9,9	81	78	
34MH-100W	MH/HSI/HPI	E27	10,0	114	109	
34MH-150W	MH/HSI/HPI	E27	10,8	169	164	
34S-70W	WLS/SHP/SON	E27	10,1	81	78	
34S-100W	WLS/SHP/SON	E40	10,2	114	109	
34S-150W	WLS/SHP/SON	E40	10,9	169	164	
34Z-E/Z	Bulb / MINI - LINX	E27	8,6	Max. 60		

WARNING !! The weight of the unit may slightly differ for individual production batches.

